

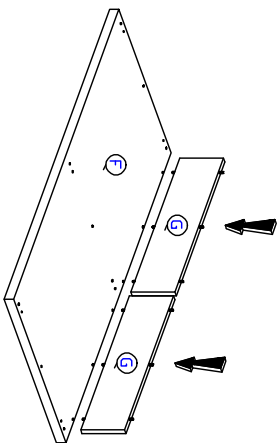
# Assembly Instruction



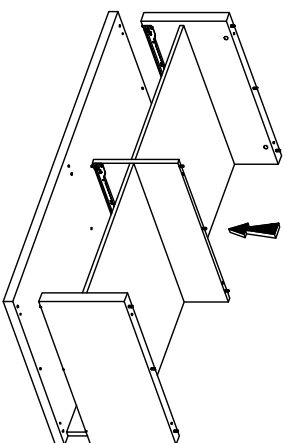
**Model : FTV 890**



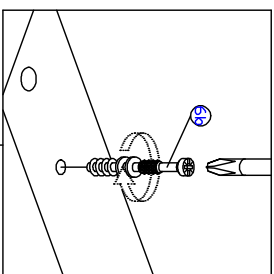
**Step 8**



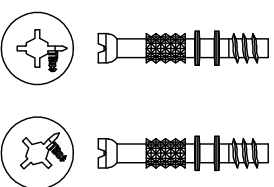
**Step 9**



**Step 10**

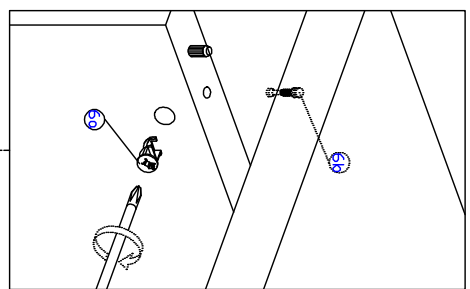


**Step 11**

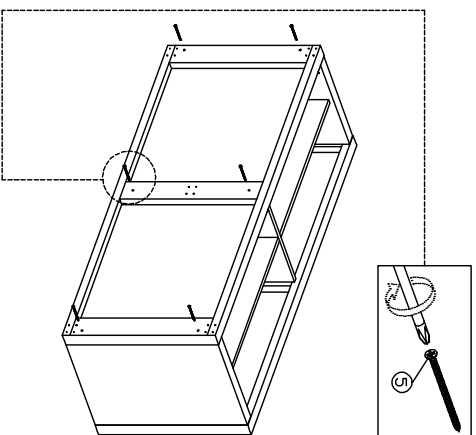


✓  
✗  
**Minifix**

**Step 12**



**Step 13**



**Step 14**

